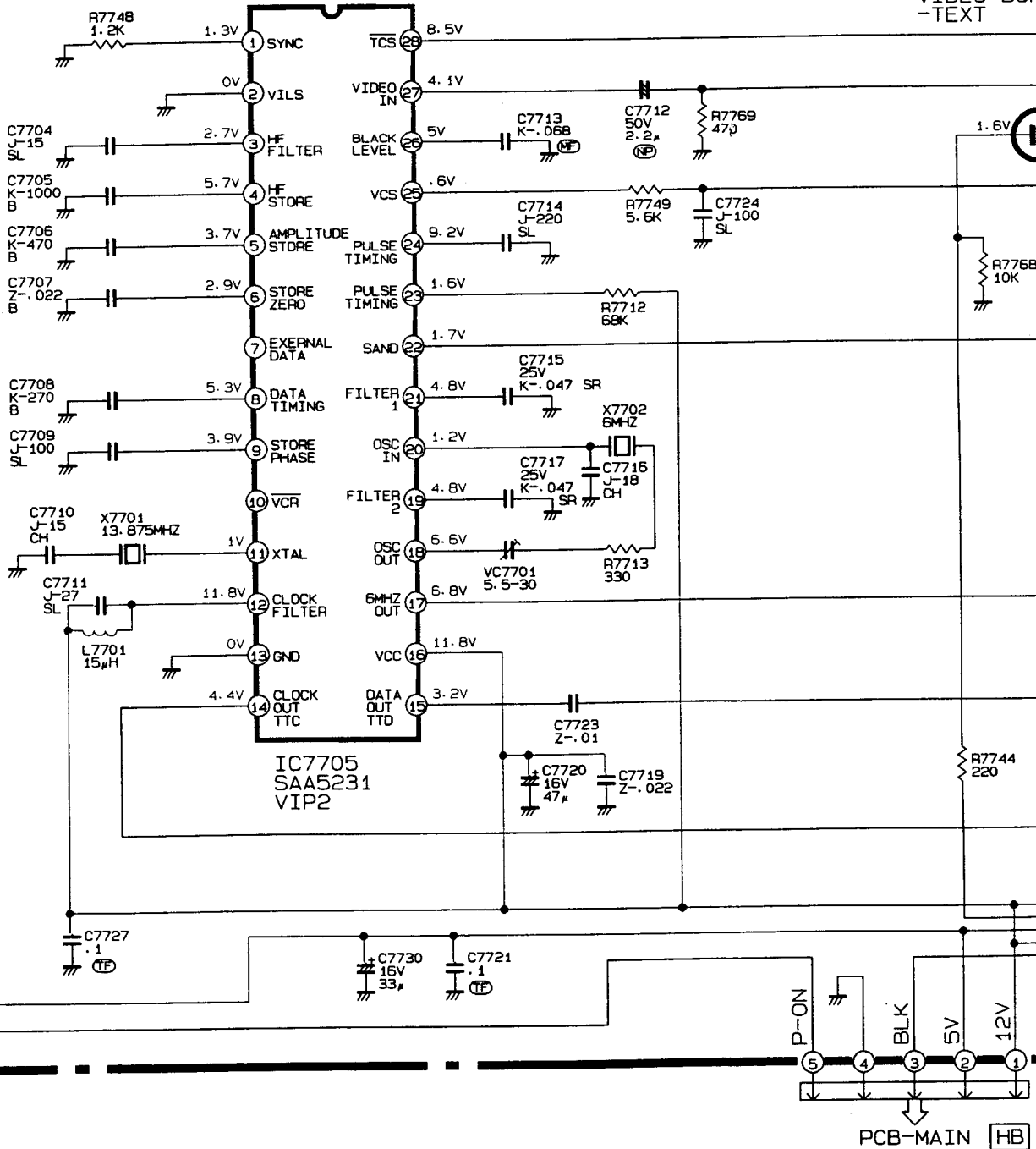
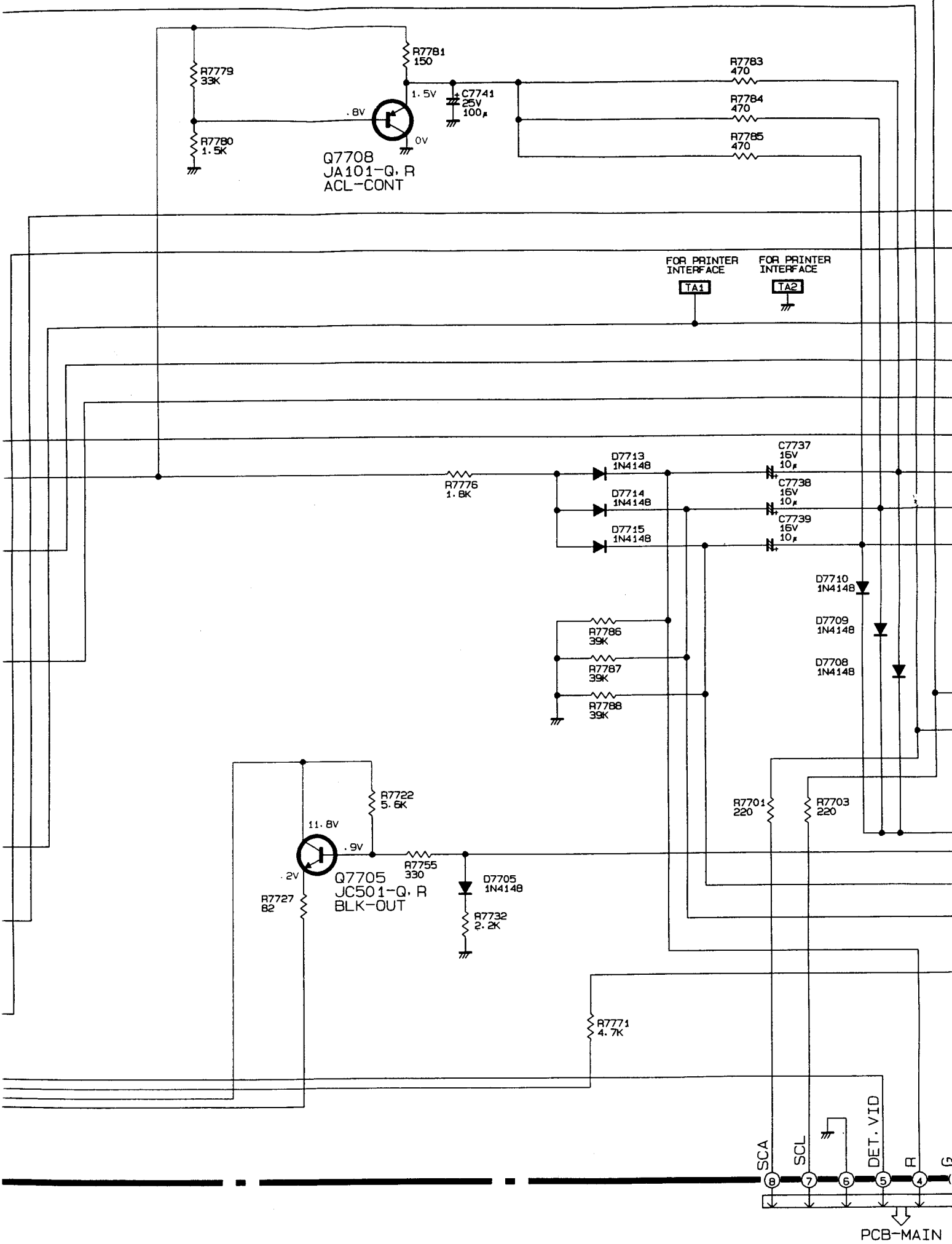
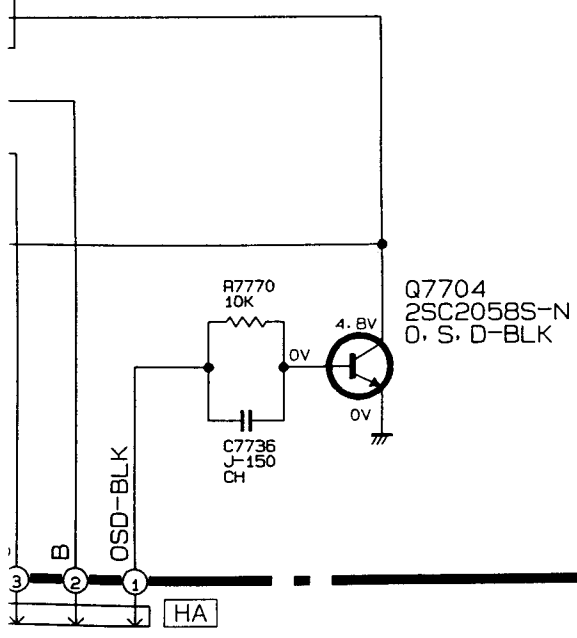
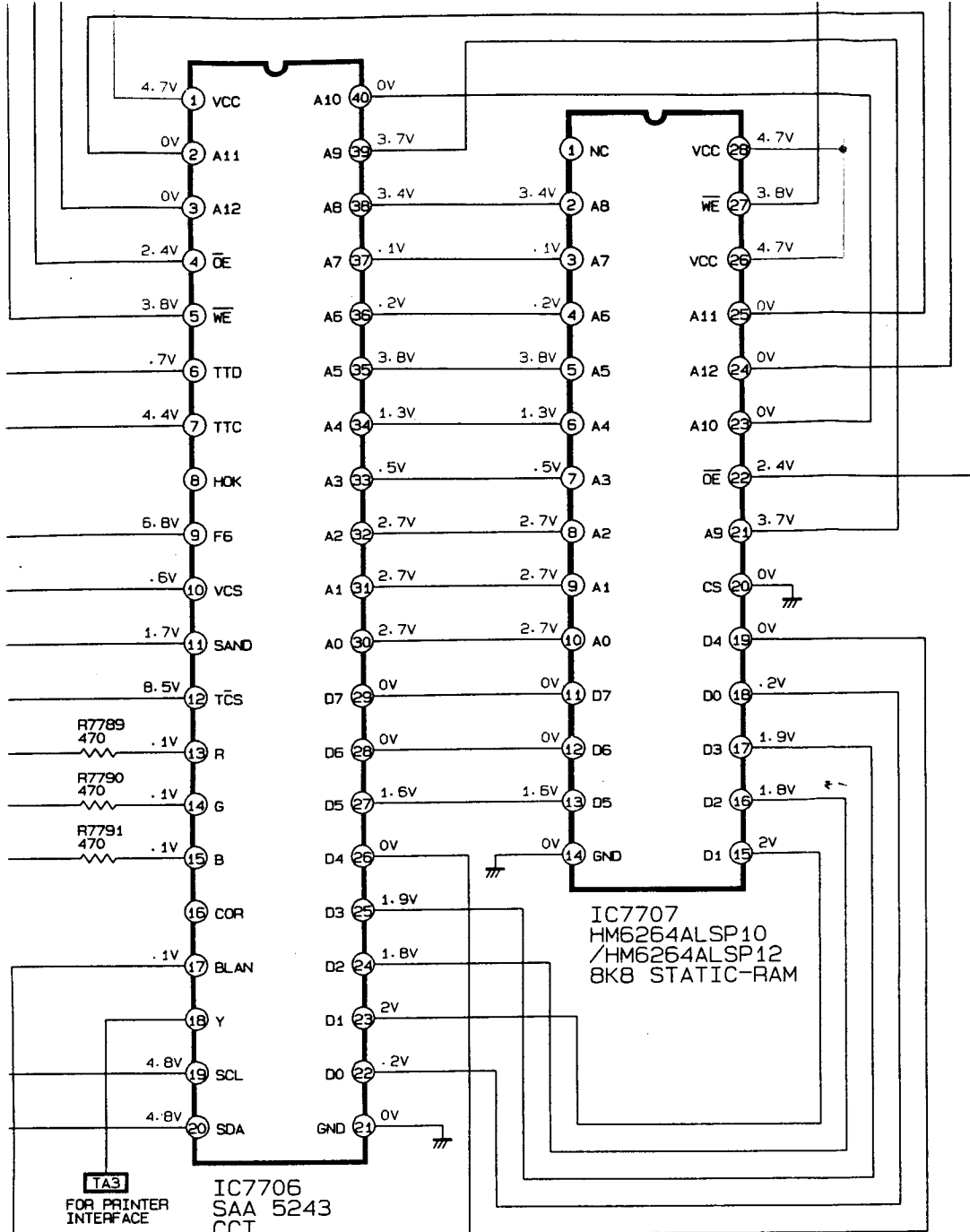


IC7708
X24C02P
NV-RAM

Q7707
JC501-Q. F
VIDEO-BUF
-TEXT





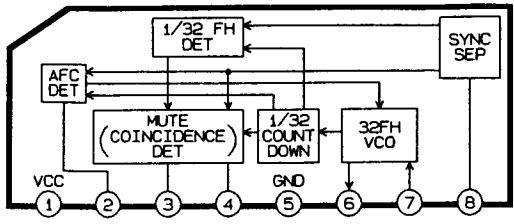


HA

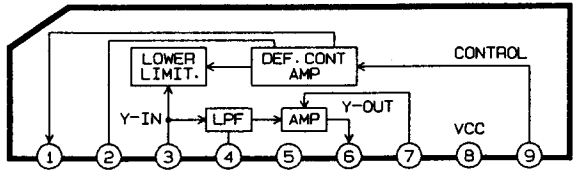
IC BLOCK DIAGRAM

[PCB-MAIN]

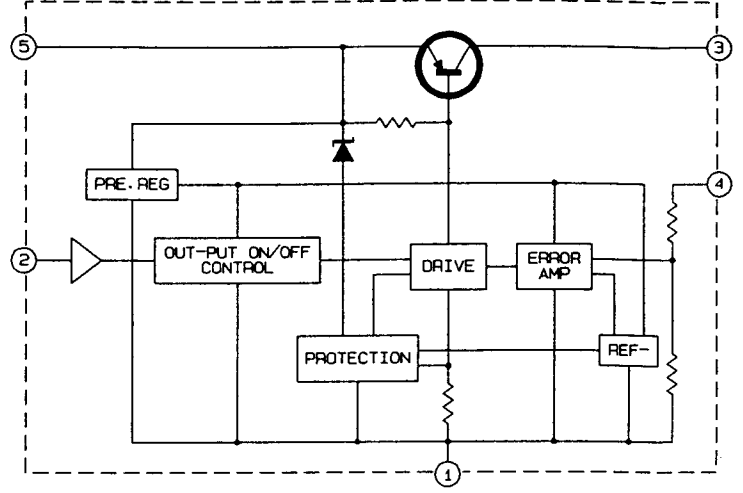
IC1A1
M51497L



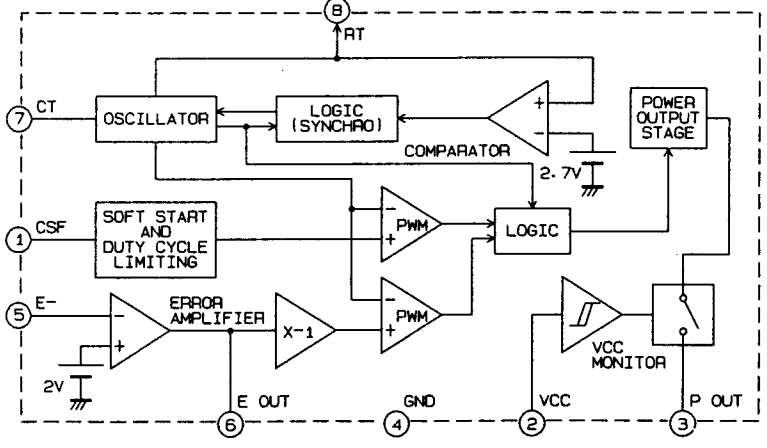
IC202
NJM2209S



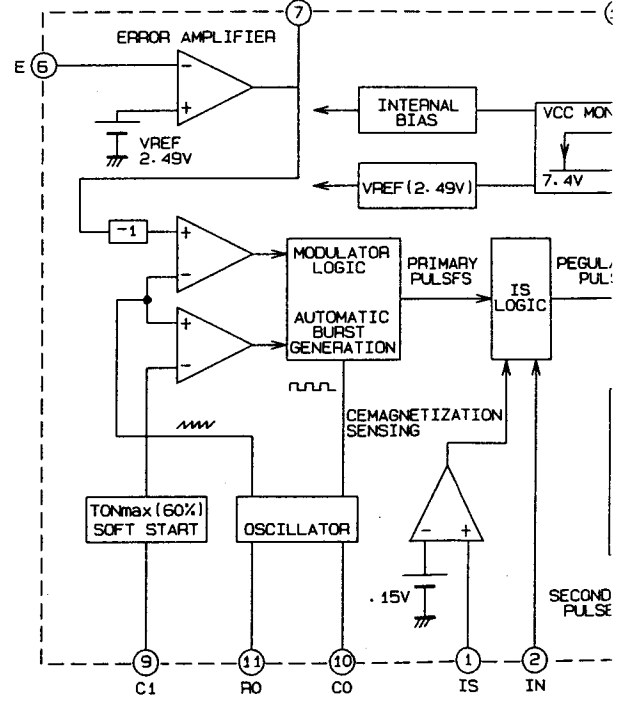
IC951
SI-3120C



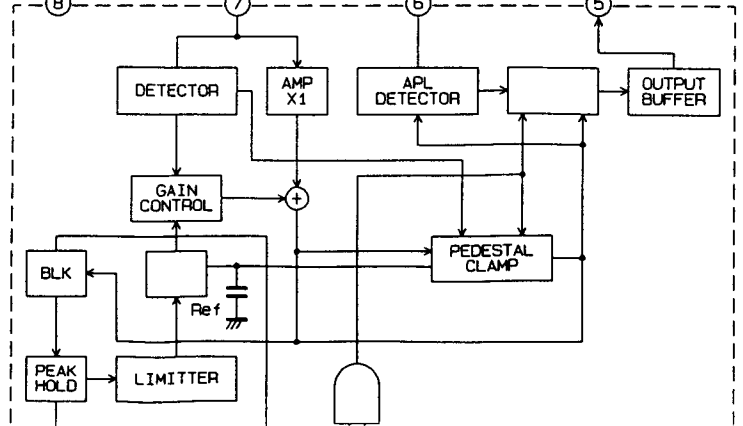
IC950
TEA5170



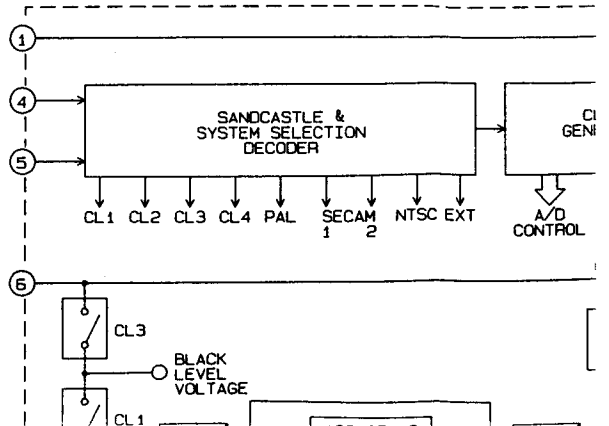
IC901
TEA2261



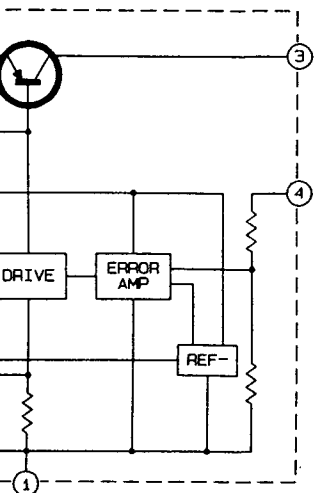
IC203
CX20125



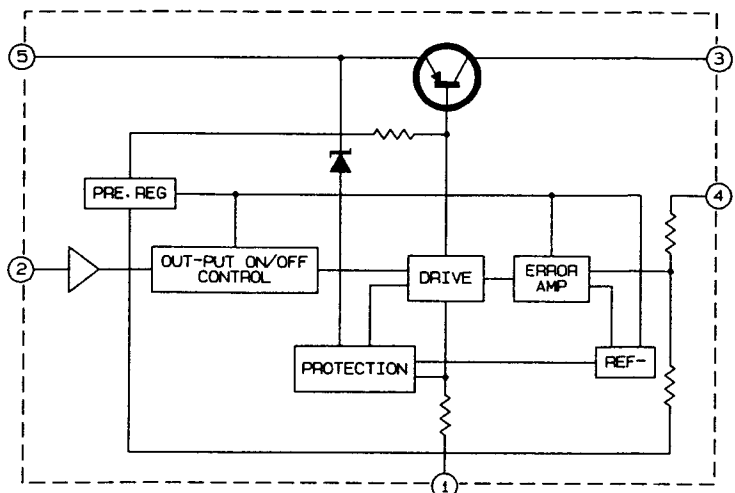
IC601
MC4414



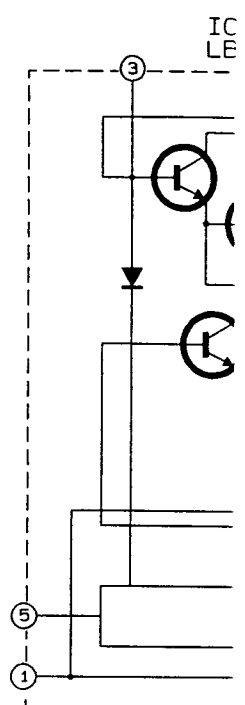
20C



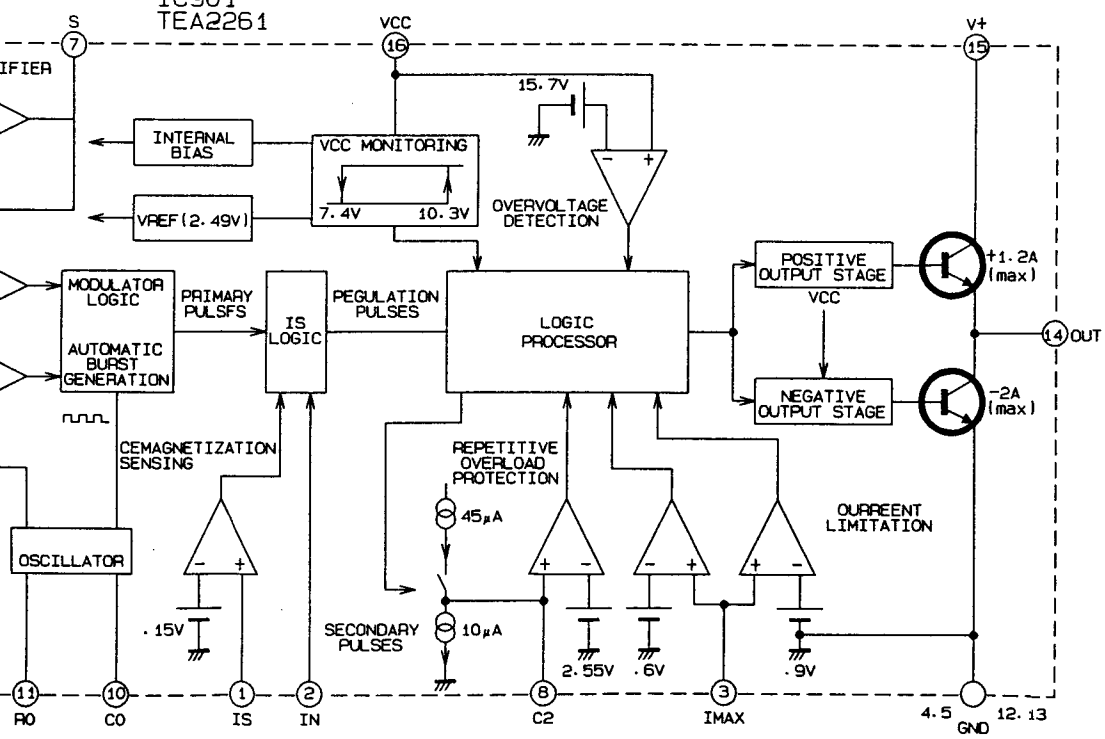
IC952
SI-3050C



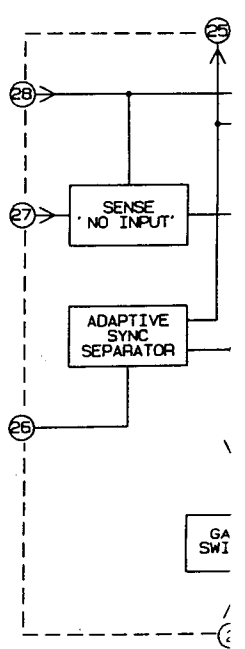
PCB-S
PCB-A



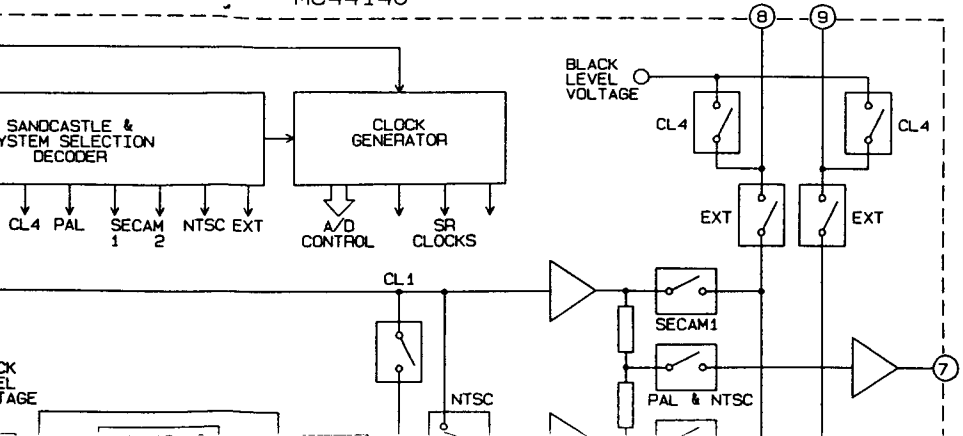
IC901
TEA2261



PCB-T
PCB-N



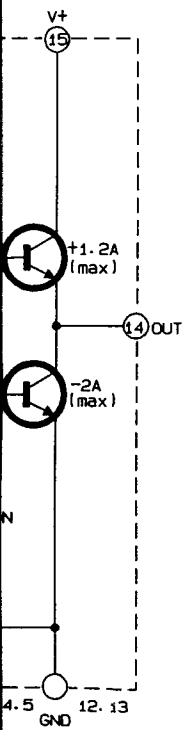
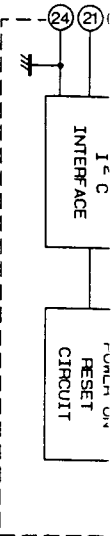
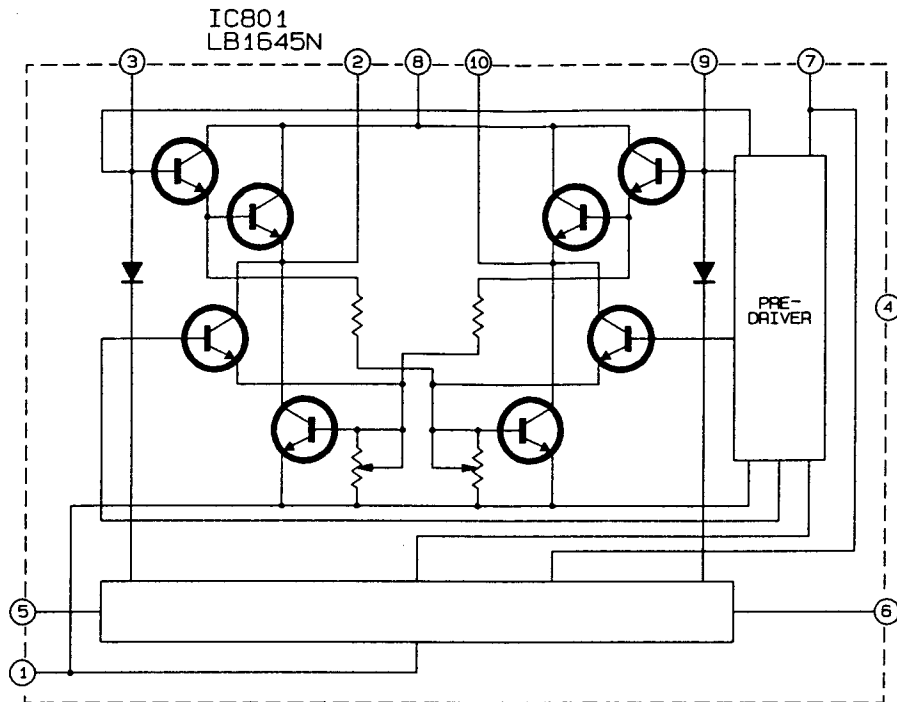
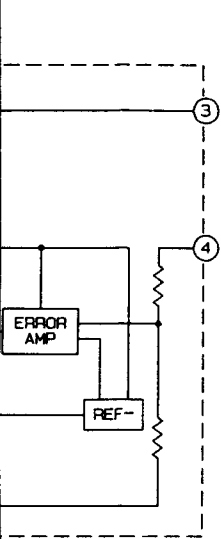
IC601
MC44140



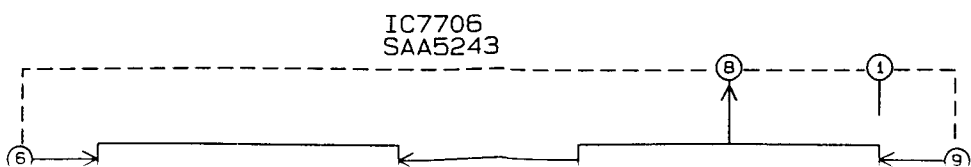
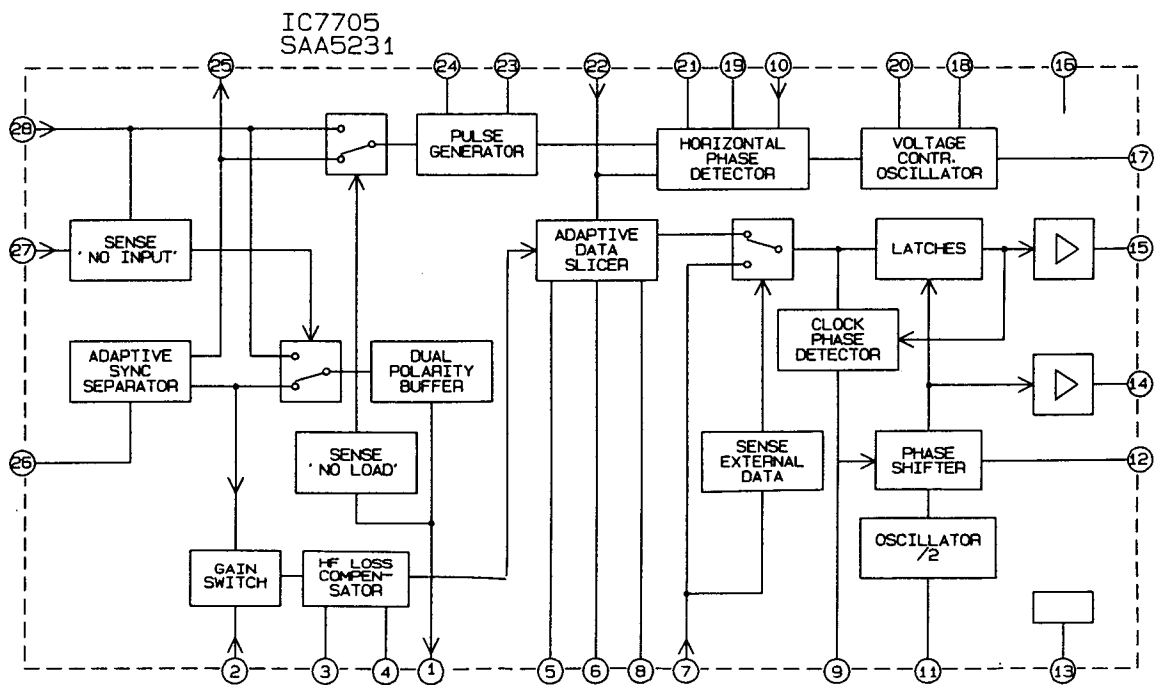
GA SWI

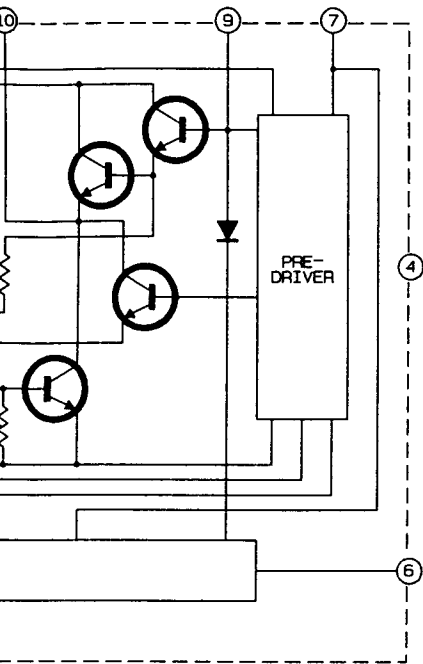


[PCB-S·W/A·T]
[PCB-AV]

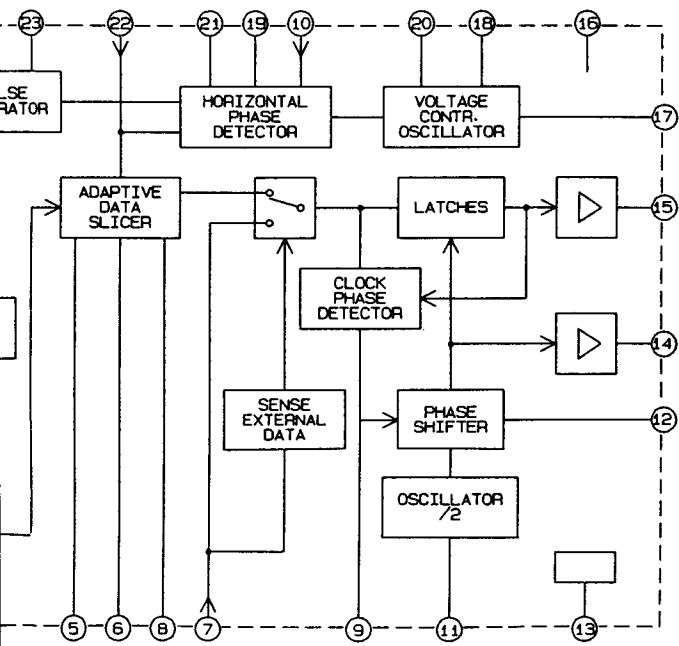
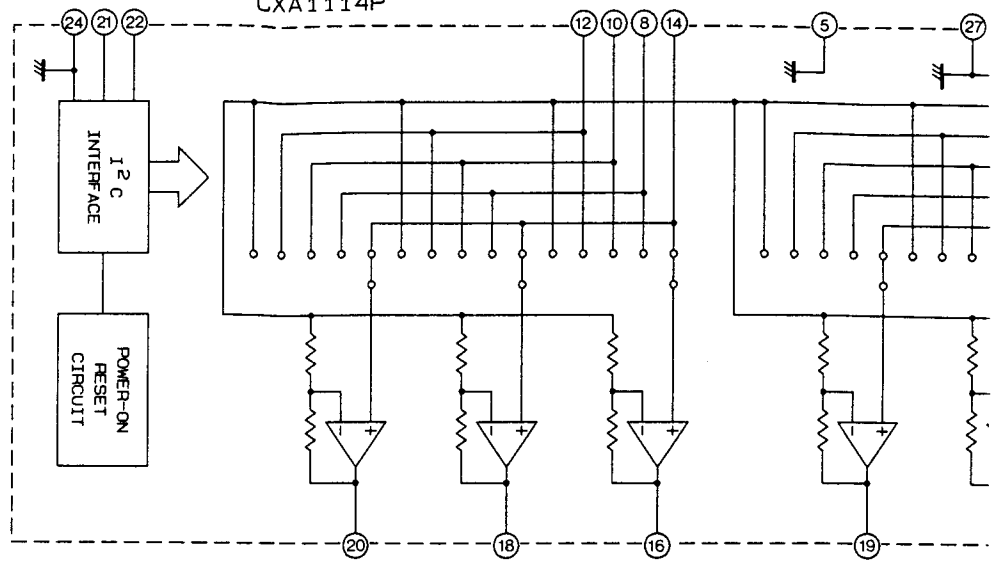


[PCB-TEXT]
[PCB-NICAM]

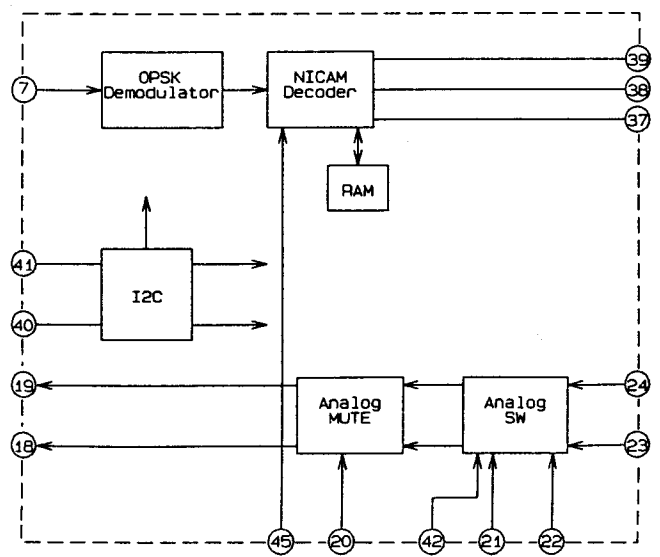




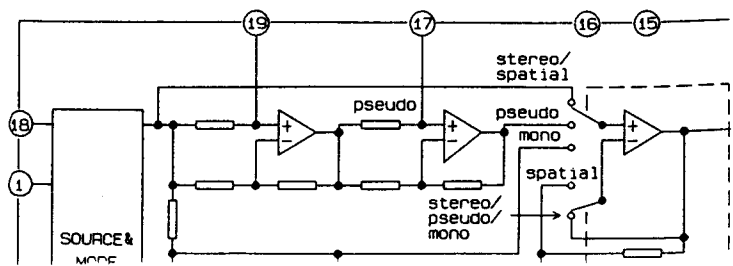
IC2J1
CXA1114P



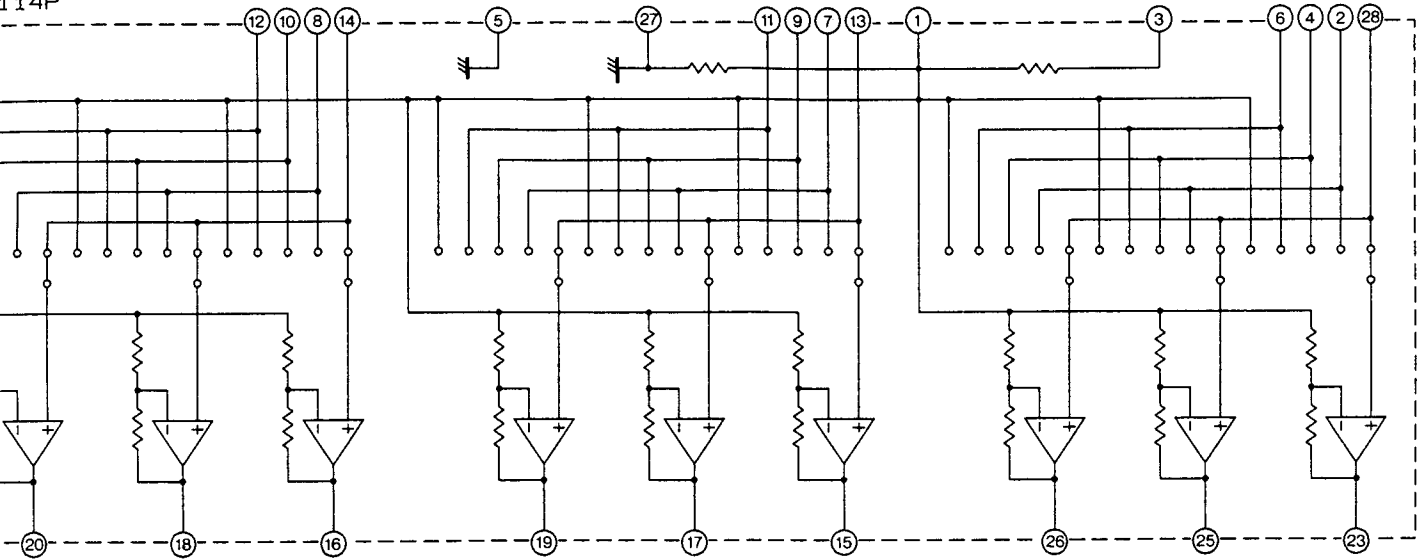
IC3304
TB1210N



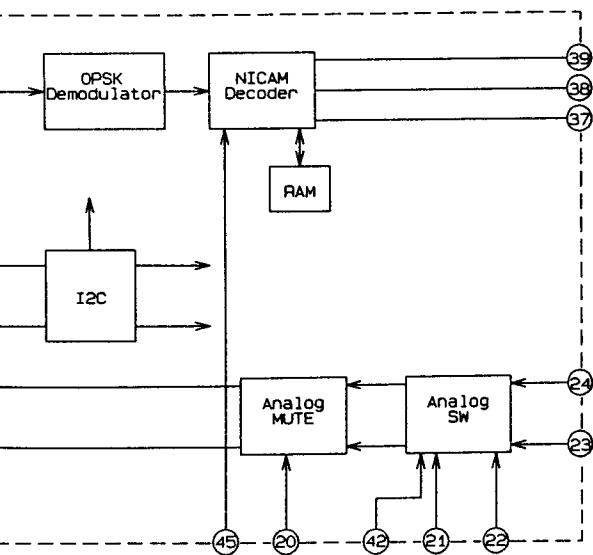
IC3309
TDA8425



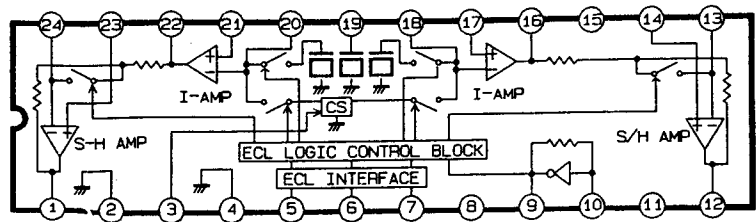
1
114P



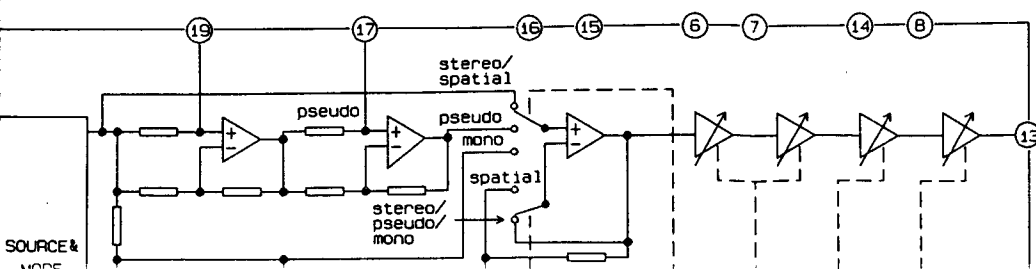
C3304
B1210N



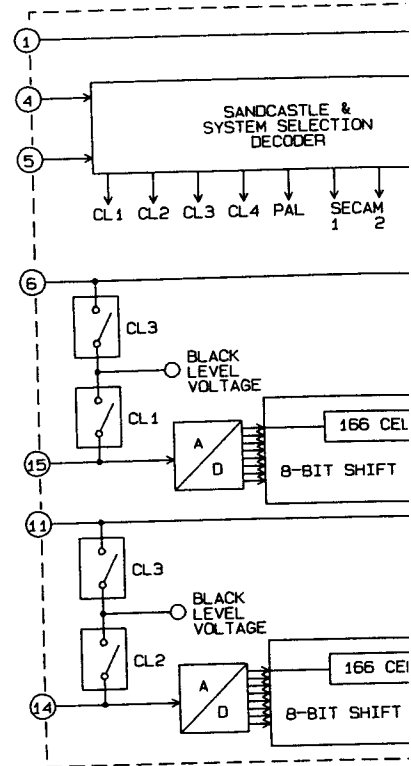
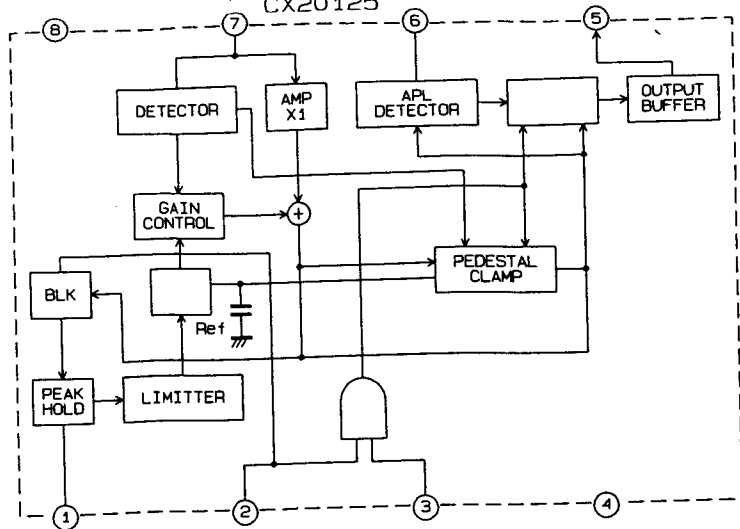
IC3305
TD6710AN



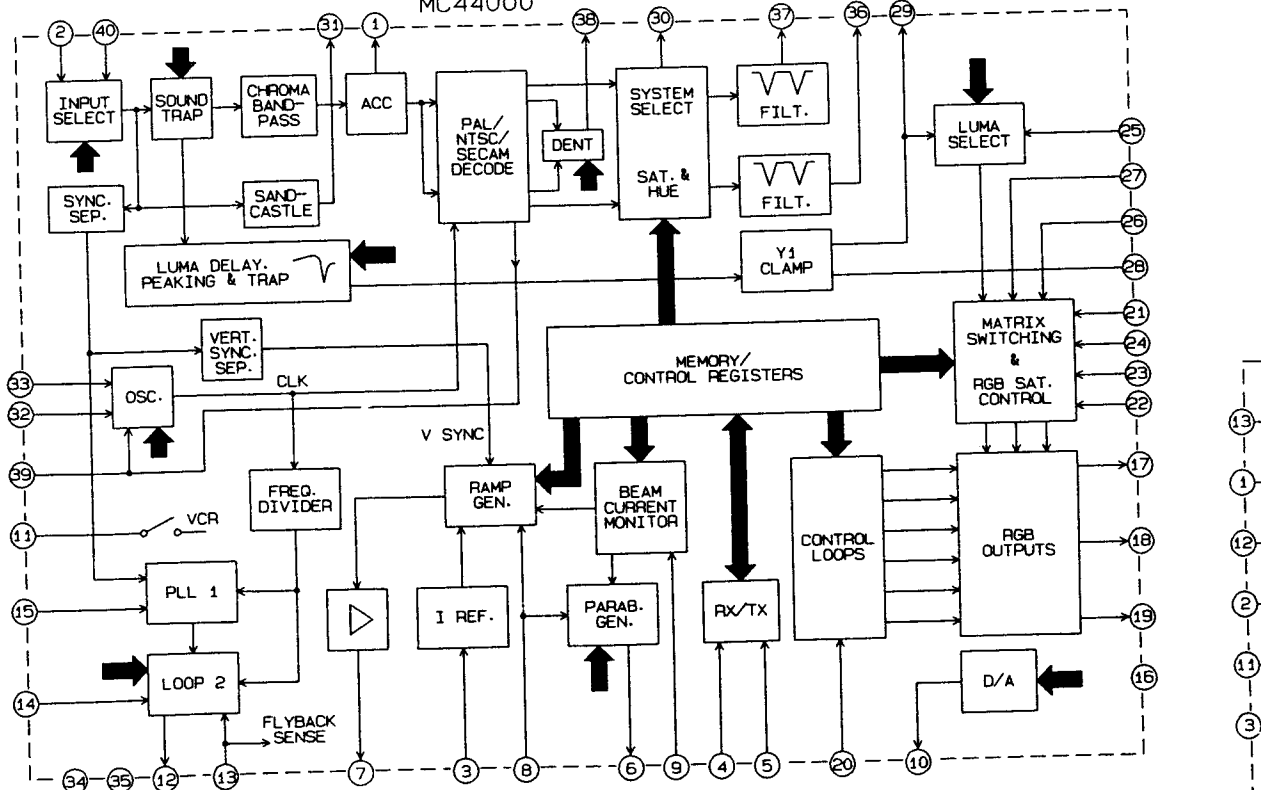
3309
A8425



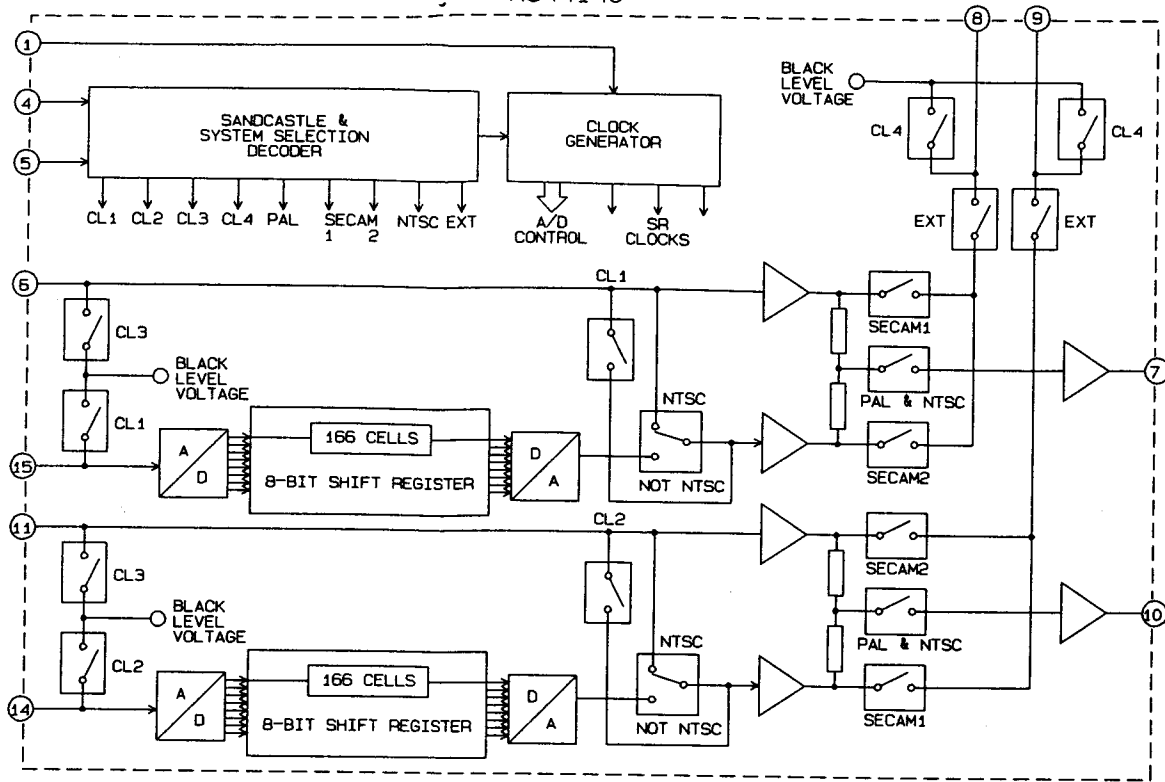
IC203
CX20125



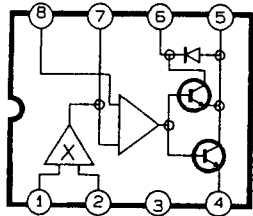
IC201
MC44000



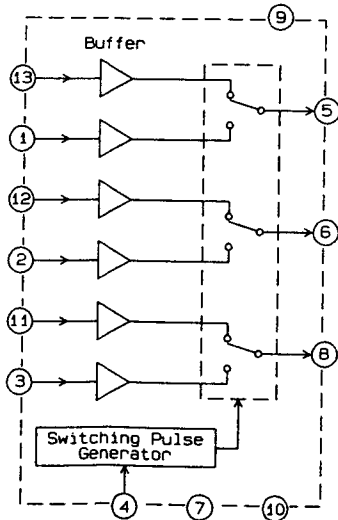
IC601
MC44140



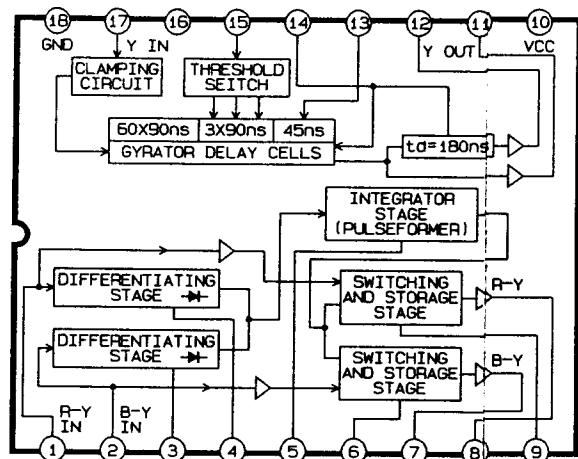
IC551
TEA2031A



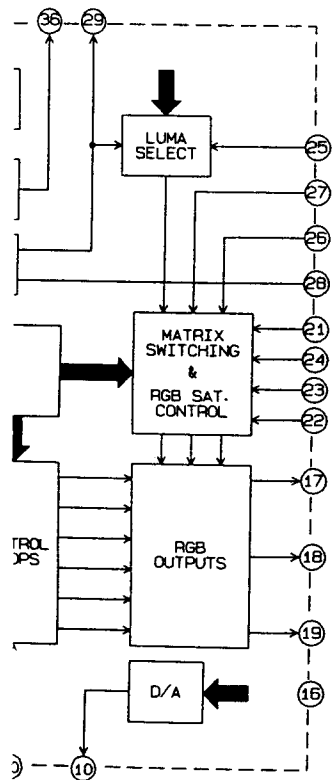
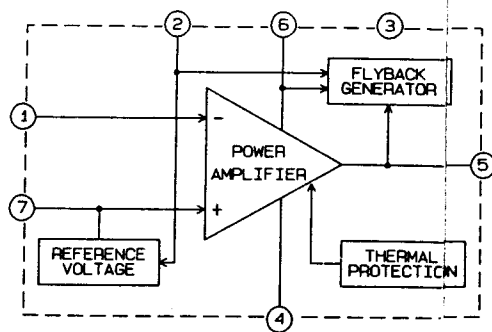
IC251
AN5862K

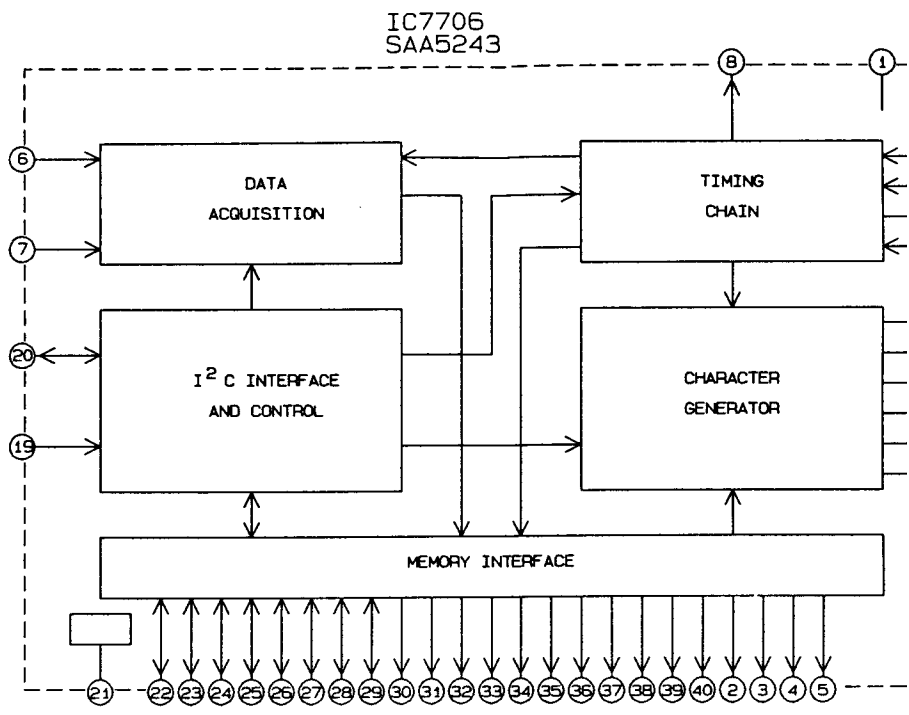
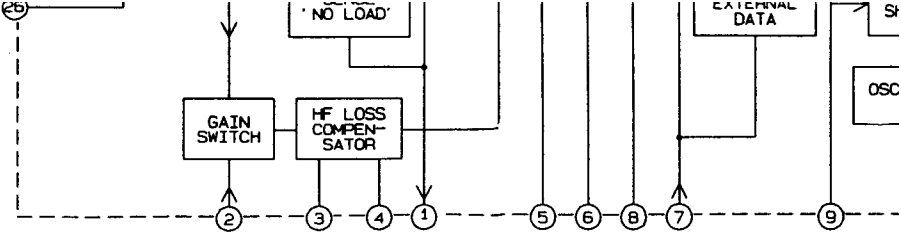
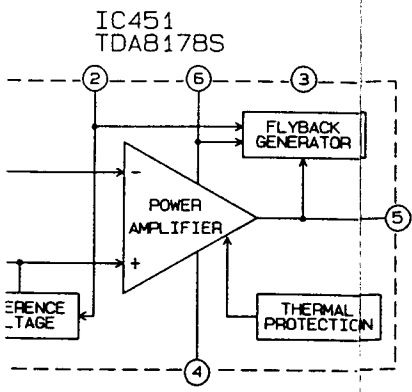
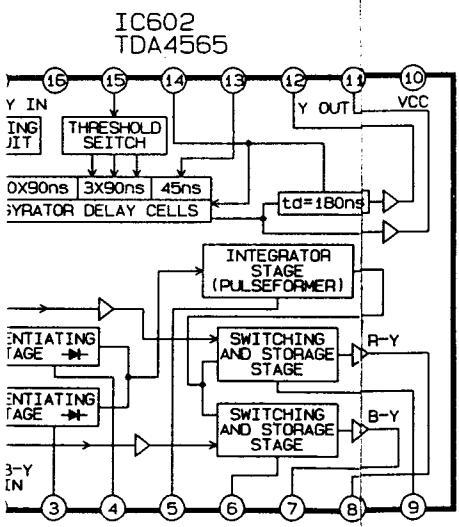
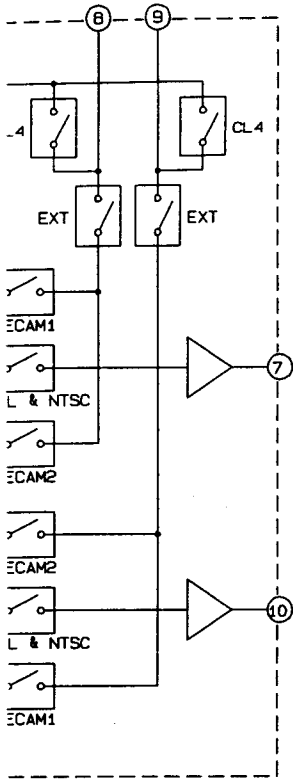


IC602
TDA4565

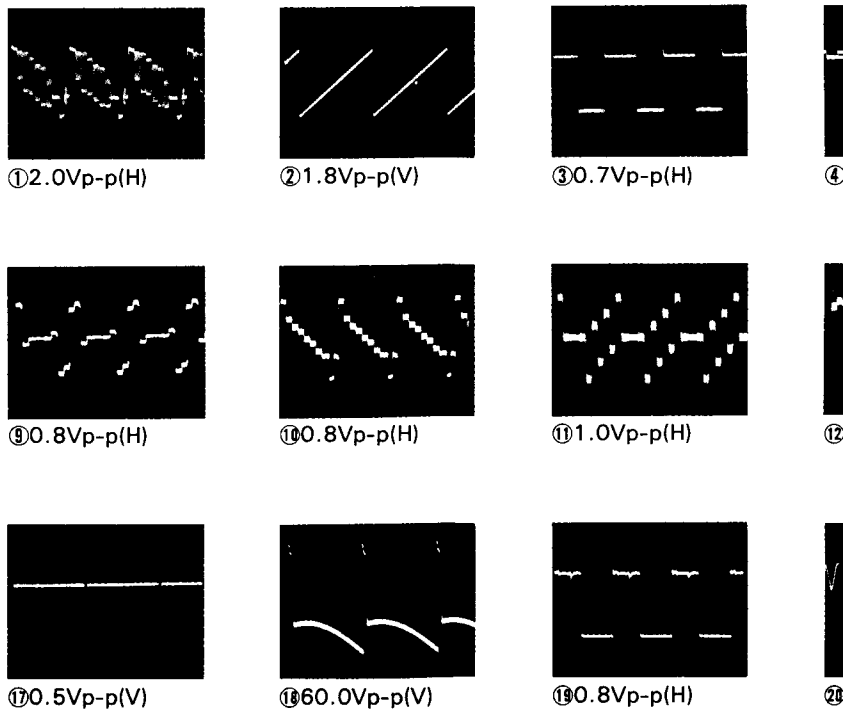


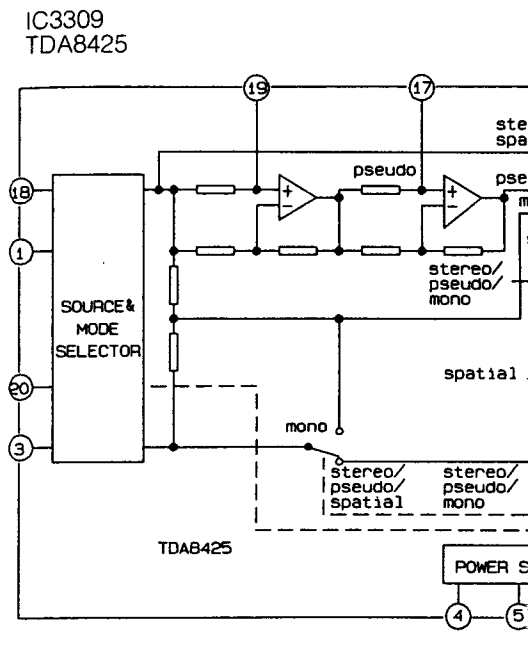
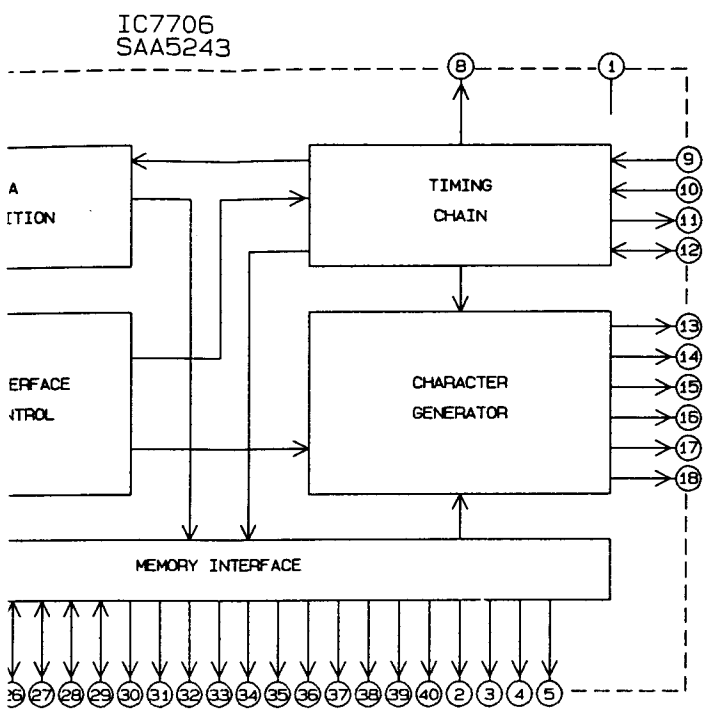
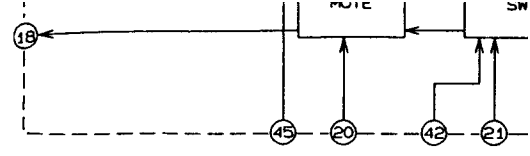
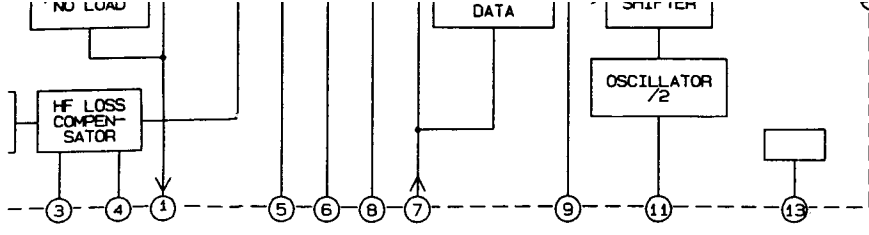
IC451
TDA8178S



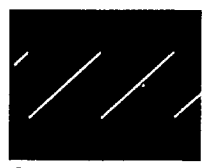


CHASSIS WAVEFORMS

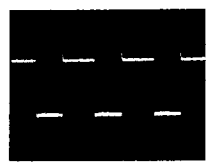




S WAVEFORMS



① 1.8Vp-p(V)



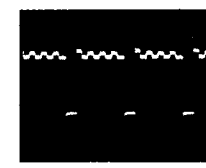
③ 0.7Vp-p(H)



④ 2.3Vp-p(H)



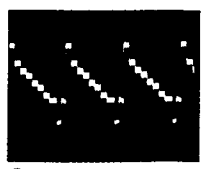
⑤ 2.2Vp-p(H)



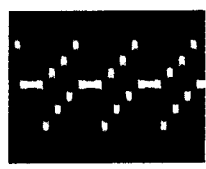
⑥ 2.3Vp-p(H)



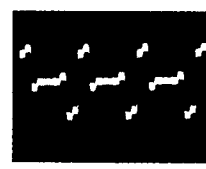
⑦ 0.7Vp-p(H)



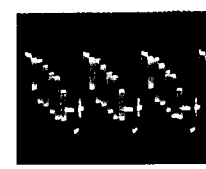
⑩ 0.8Vp-p(H)



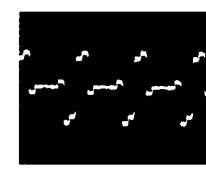
⑪ 1.0Vp-p(H)



⑫ 0.8Vp-p(H)



⑬ 0.9Vp-p(H)



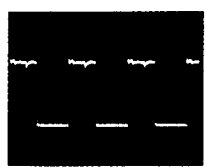
⑭ 0.8Vp-p(H)



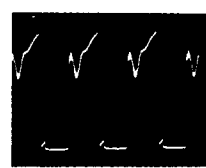
⑮ 0.9Vp-p(H)



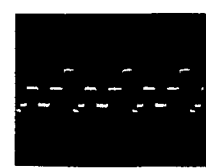
⑱ 60.0Vp-p(V)



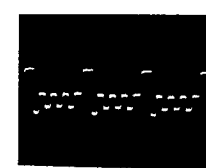
⑲ 0.8Vp-p(H)



⑳ 124.0Vp-p(H)



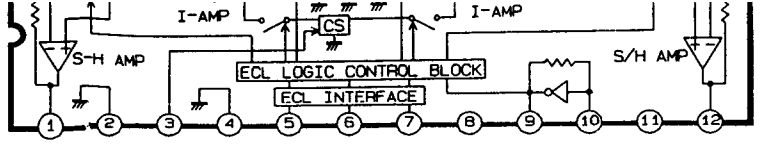
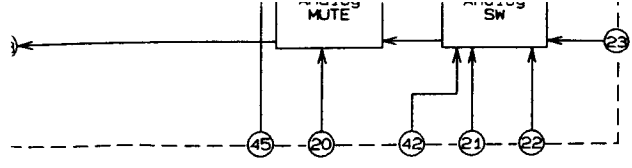
㉑ 140.0Vp-p(H)



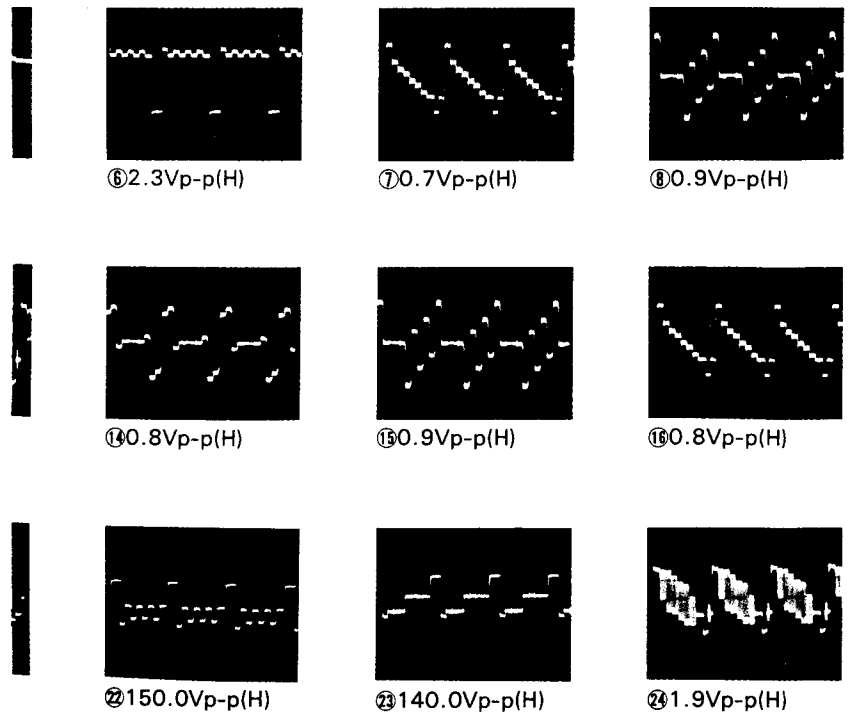
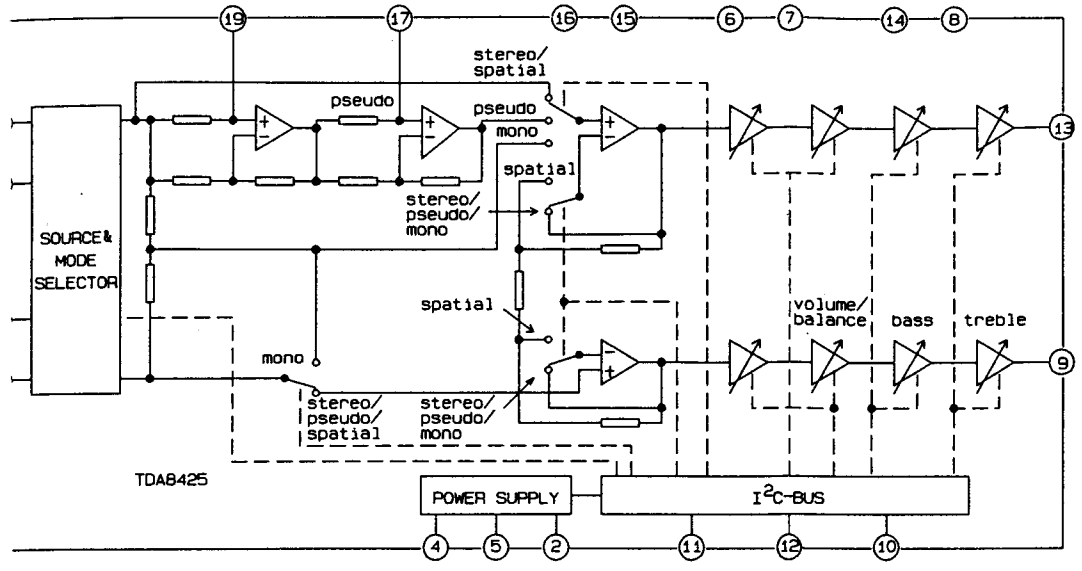
㉒ 150.0Vp-p(H)



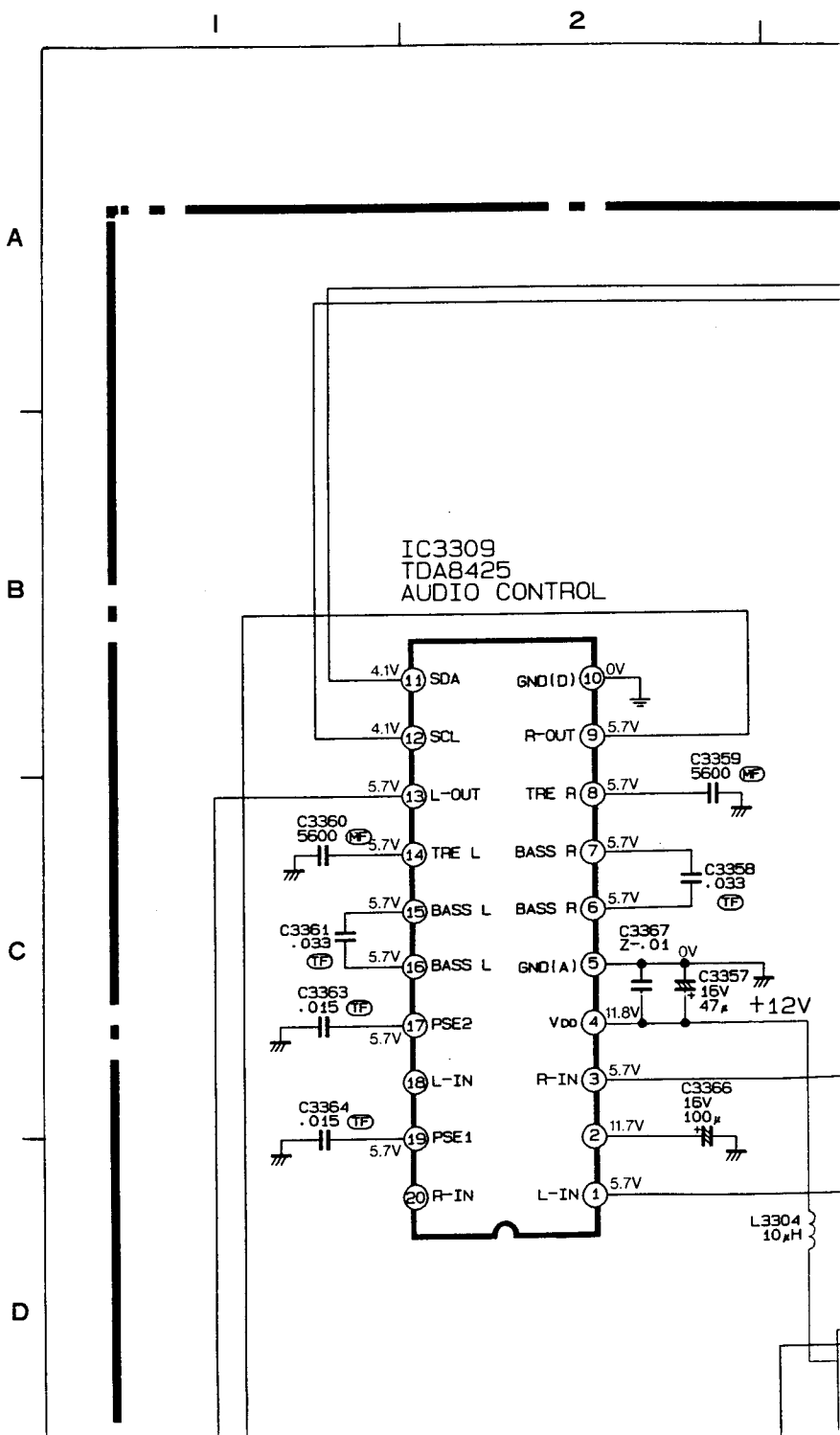
㉓ 140.0Vp-p(H)



C3309
DAB425



CT-25B2STX
CT-25B2LST
CT-29B2STX
CT-29B2LST(3/4)



A

B

C

D

1

2

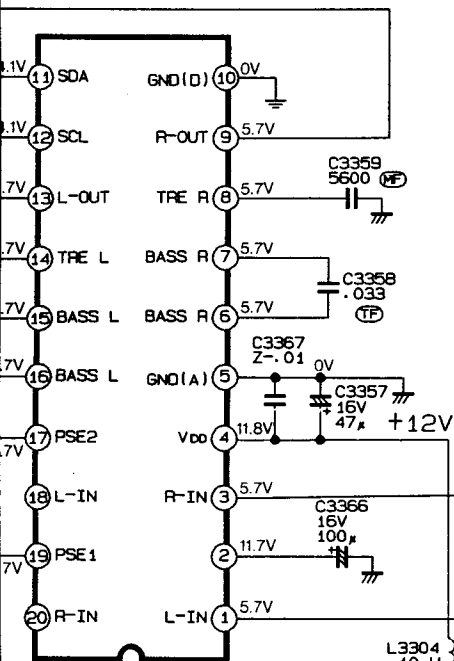
2

3

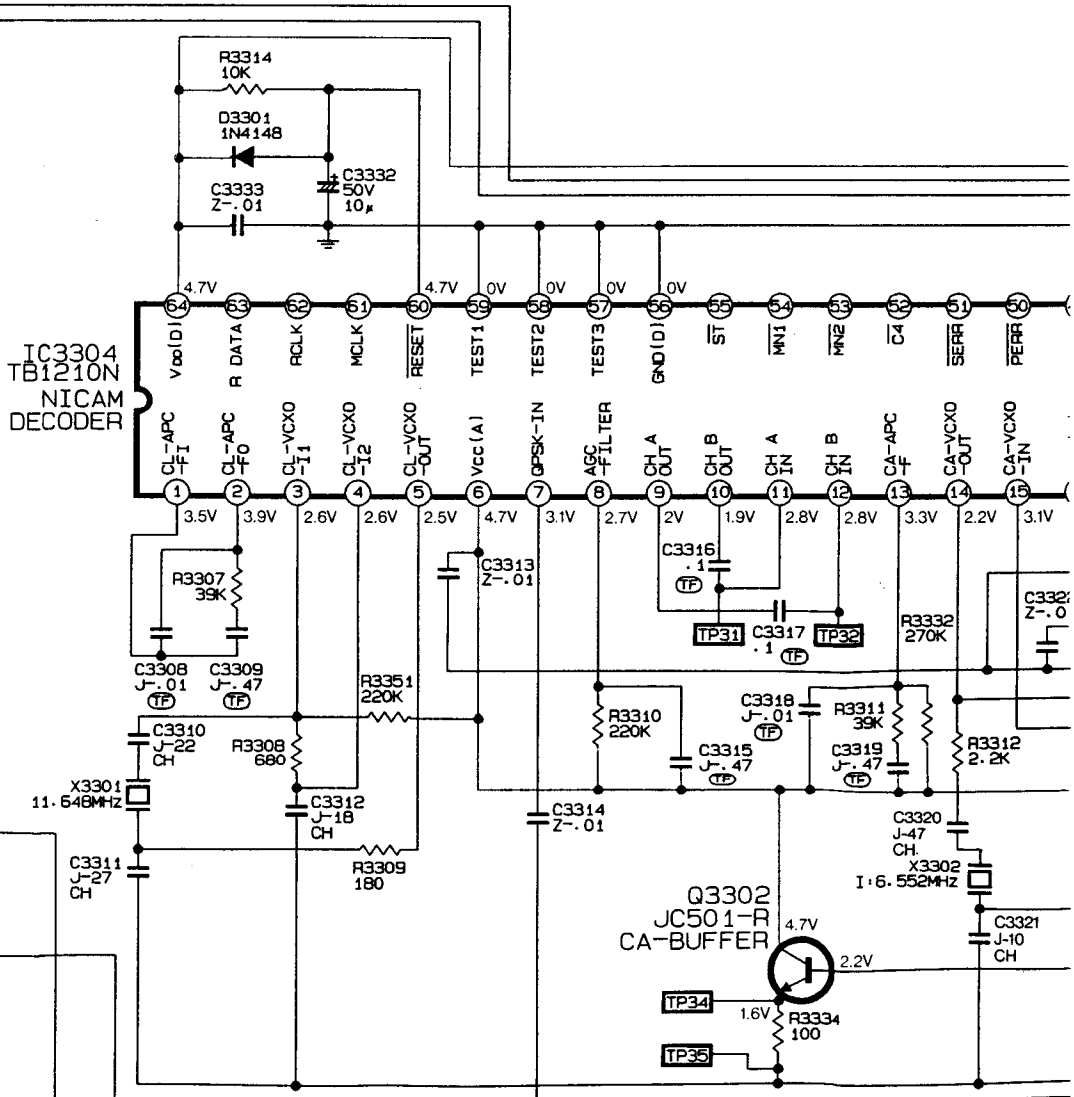
4

5

IC3309
TDA8425
AUDIO CONTROL



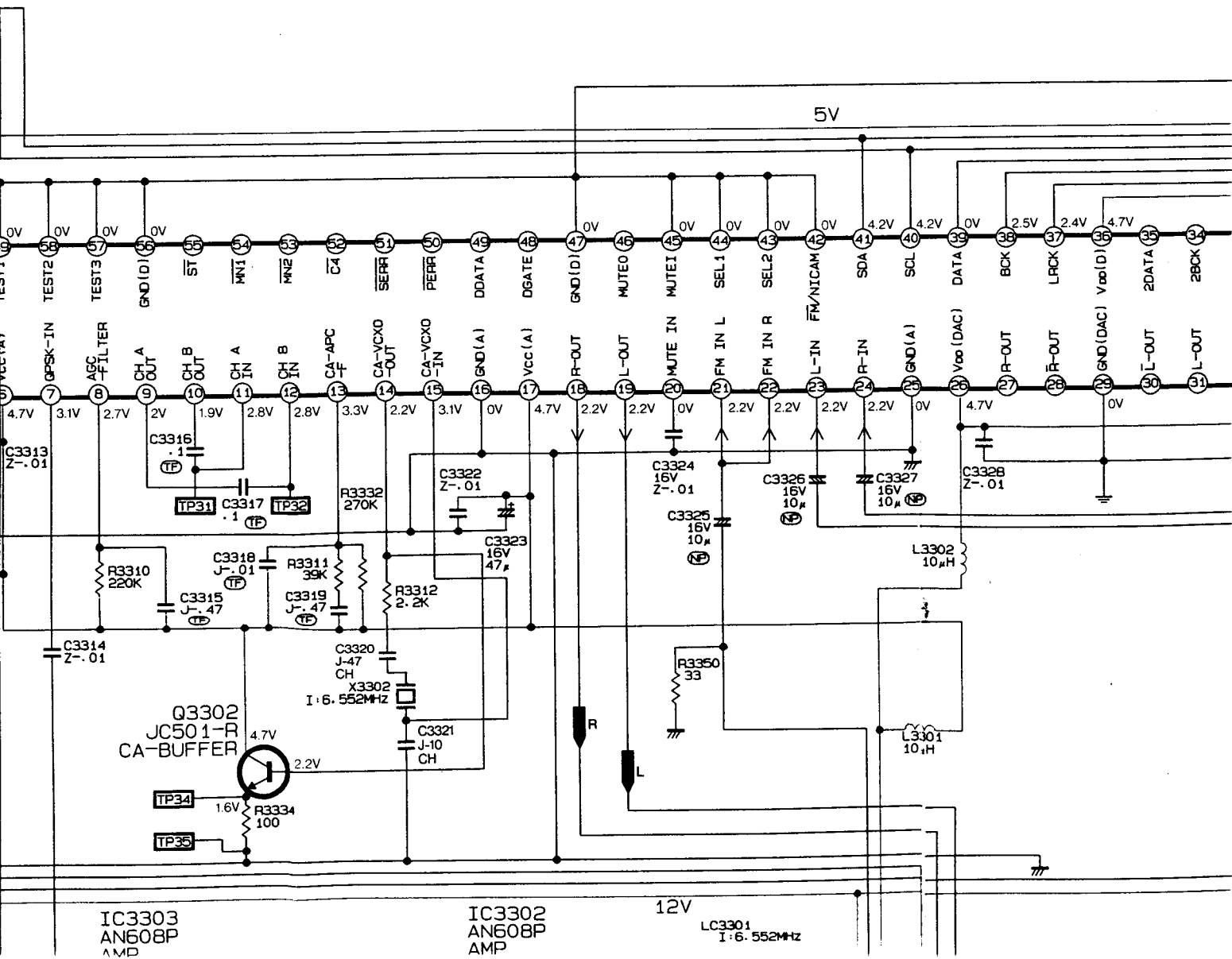
IC3304
TB1210N
NICAM
DECODER



IC3303
AN608P
AMP

I
A
A

PCB-NICAM



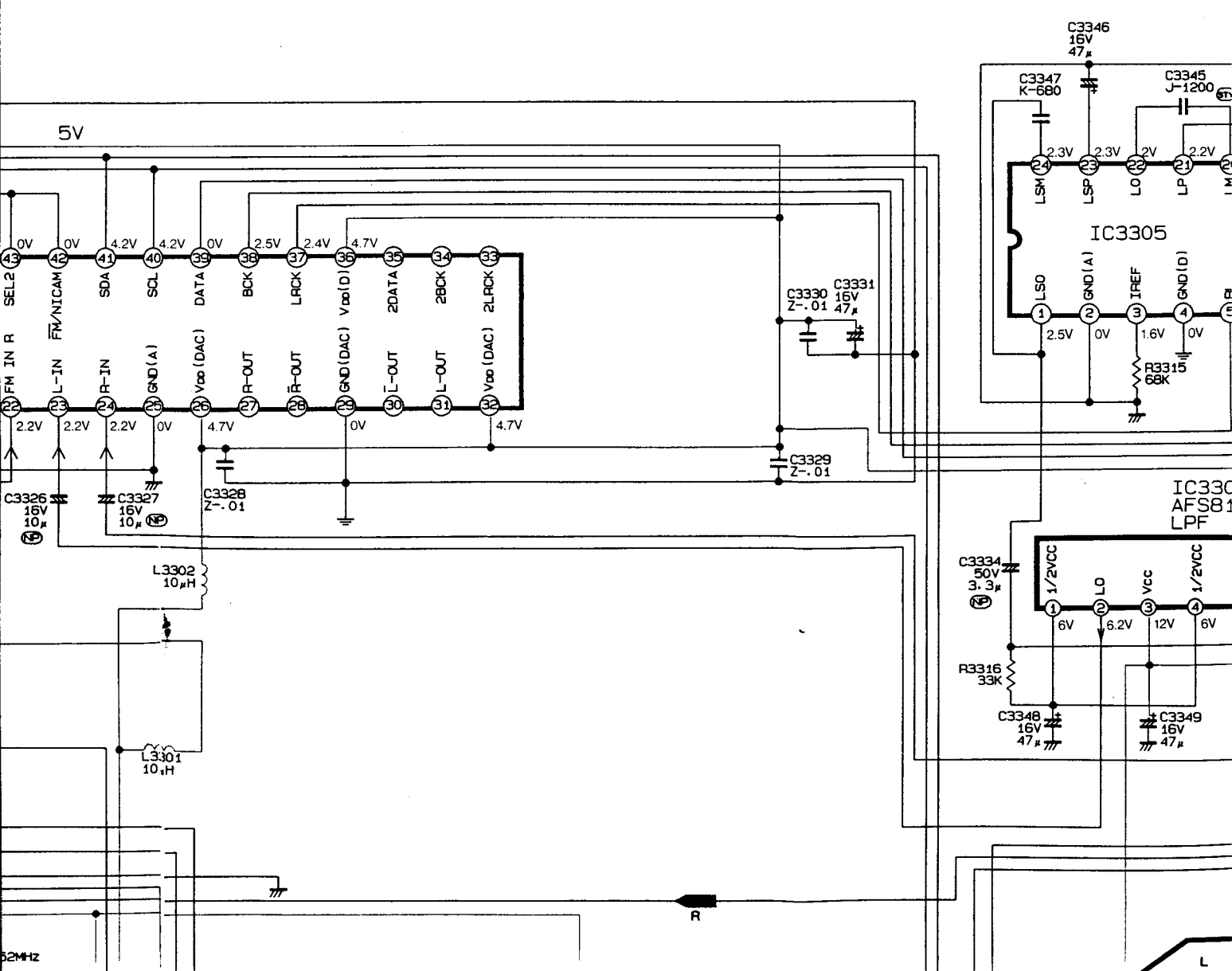
7

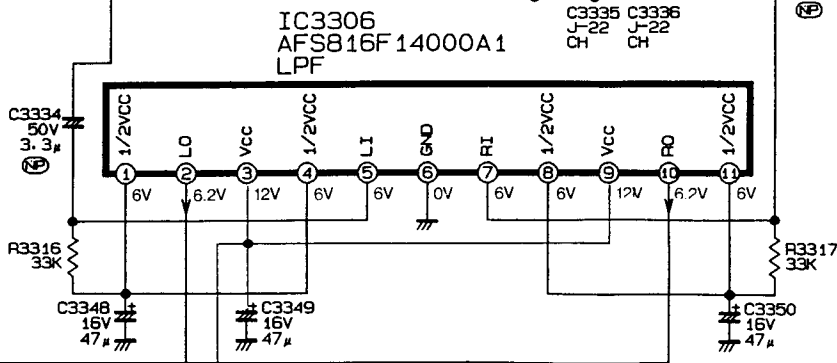
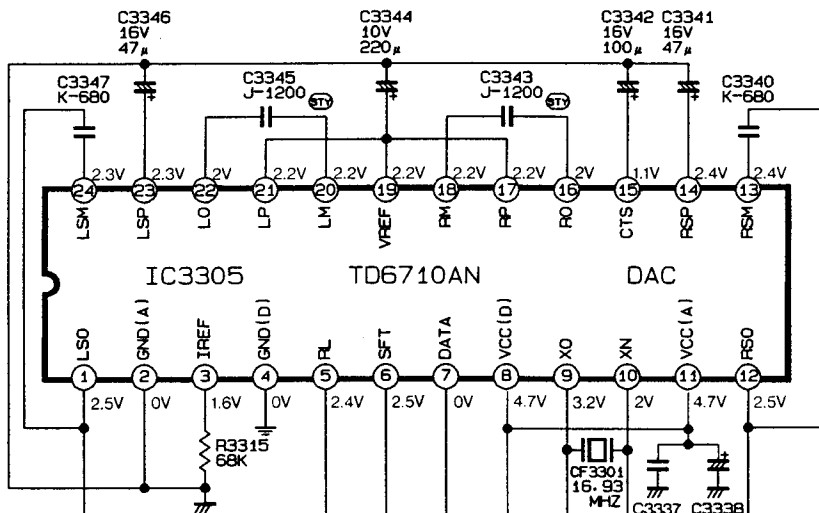
8

9

10

ICAM





IC3307
M5218AL
NICAM AMP

L

R

C

D

E

F

G

H

